

Revision A:

• MSZ-SF15VA-**E2** and MSZ-SF20VA-**E2** have been added.

Please void OBB555.

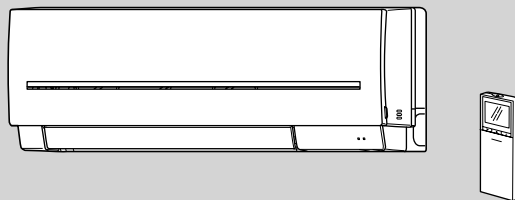
INDOOR UNIT PARTS CATALOG

No. OBB555
REVISED EDITION-A

Models

MSZ-SF15VA - **E1**, **E2**

MSZ-SF20VA - **E1**, **E2**



MSZ-SF15VA
MSZ-SF20VA

CONTENTS

- 1. RoHS PARTS LIST..... 2
- 2. OPTIONAL PARTS..... 7

SERVICE MANUAL (OBH555)

NOTE:

RoHS compliant products have <G> mark on the spec name plate.



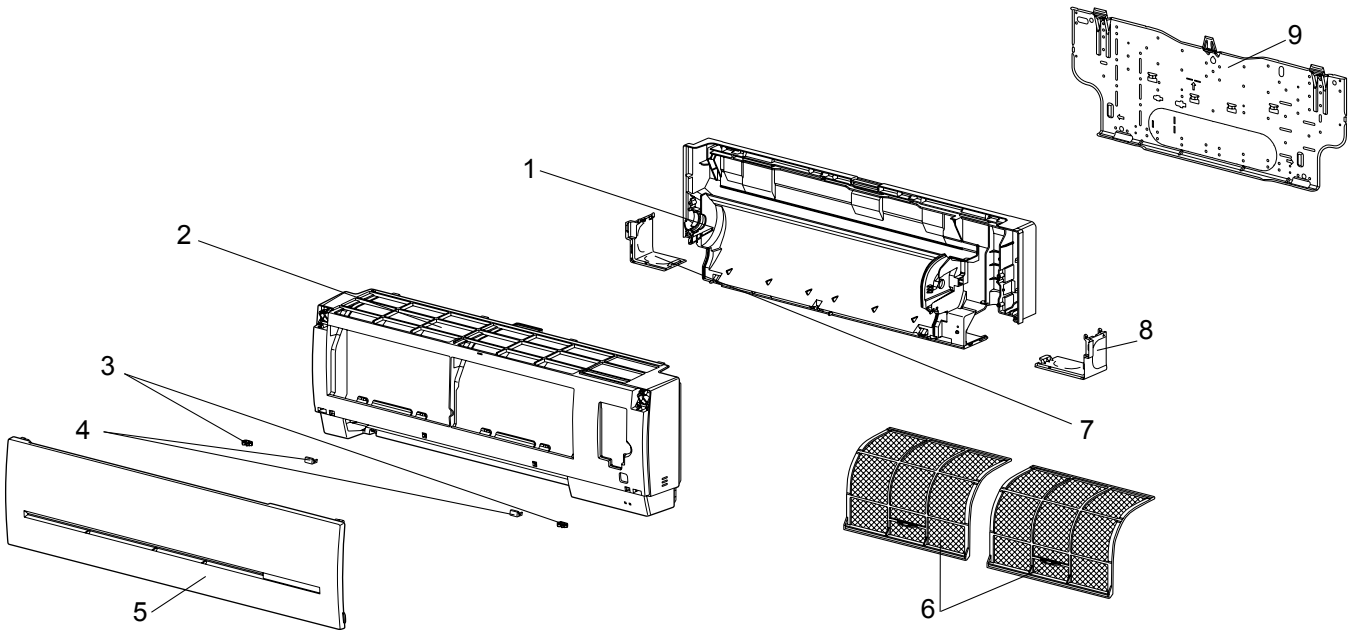
Revision A:

• MSZ-SF15VA-E2 and MSZ-SF20VA-E2 have been added.

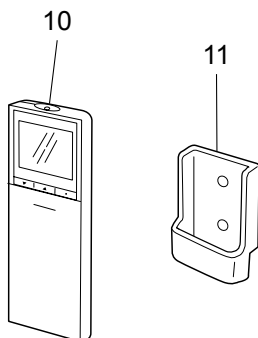
1 RoHS PARTS LIST

MSZ-SF15VA MSZ-SF20VA

1-1. INDOOR UNIT STRUCTURAL PARTS



1-2. ACCESSORY AND REMOTE CONTROLLER



RoHS PARTS LIST

1-1. INDOOR UNIT STRUCTURAL PARTS

No.	RoHS	Part No.	Part name	Symbol in Wiring Diagram	Q'ty/unit				Remarks
					MSZ-SF				
					15VA-E1	15VA-E2	20VA-E1	20VA-E2	
1	G	T2W 9K1 234	BOX ASSEMBLY		1	1	1	1	
2	G	T2W 9K1 000	PANEL ASSEMBLY		1	1	1	1	Including No. 3, 5
3	G	T2W 9K1 142	CATCH		2	2	2	2	1 PC/SET
4	G	T2W 9K1 067	SCREW CAP		2	2	2	2	1 PC/SET
5	G	T2W 9K1 010	GRILLE ASSEMBLY		1	1	1	1	
6	G	T2W 9K1 100	AIR FILTER		2	2	2	2	1 PC/SET
7	G	T2W 9K1 976	CORNER BOX (LEFT)		1	1	1	1	
8	G	T2W 9K2 976	CORNER BOX (RIGHT)		1	1	1	1	
9	G	T2W 9K1 970	INSTALLATION PLATE		1	1	1	1	

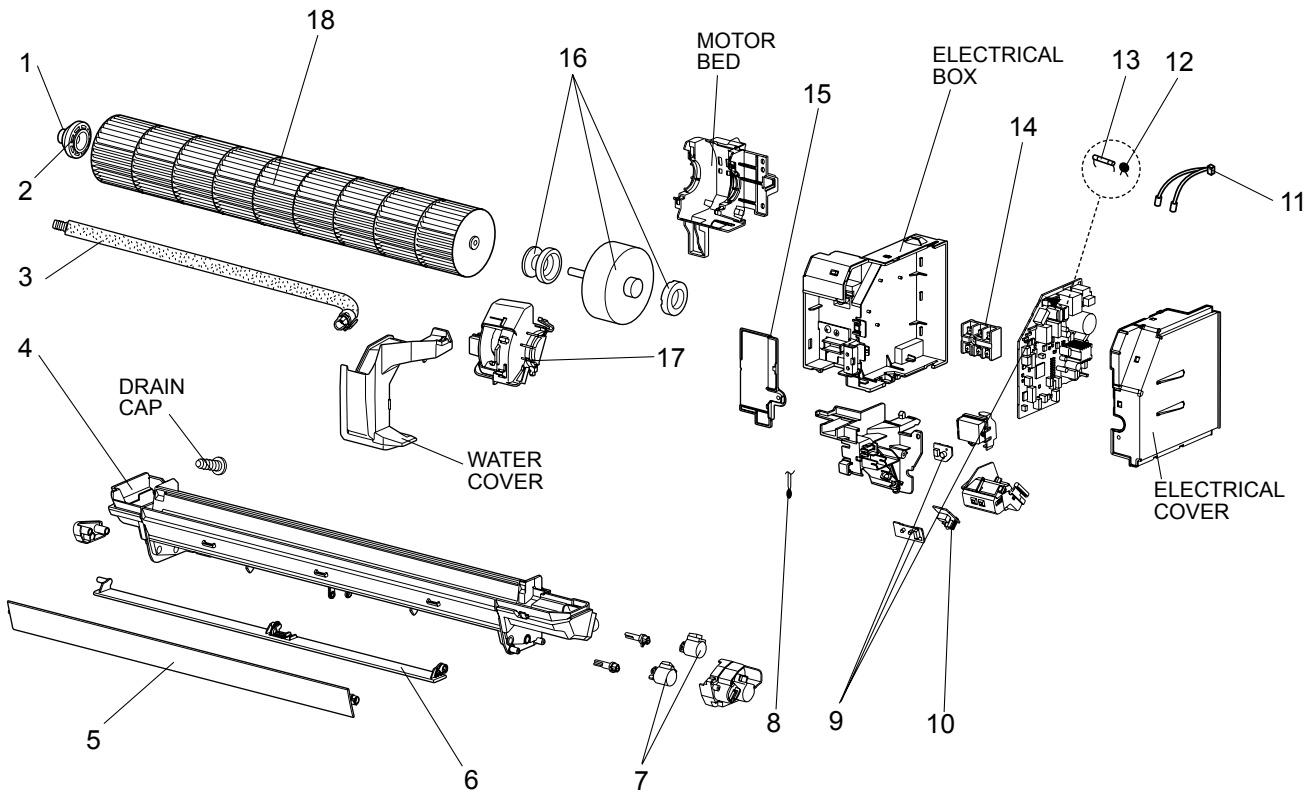
1-2. ACCESSORY AND REMOTE CONTROLLER

10	G	T2W 9K1 426	REMOTE CONTROLLER		1	1	1	1	SG10D
11	G	T2W 9K1 083	REMOTE CONTROLLER HOLDER		1	1	1	1	

RoHS PARTS LIST

MSZ-SF15VA MSZ-SF20VA

1-3. INDOOR UNIT ELECTRICAL PARTS AND FUNCTIONAL PARTS



RoHS PARTS LIST

1-3. INDOOR UNIT ELECTRICAL PARTS AND FUNCTIONAL PARTS

No.	RoHS	Part No.	Part name	Symbol in Wiring Diagram	Q'ty/unit				Remarks
					MSZ-SF				
					15VA-E1	15VA-E2	20VA-E1	20VA-E2	
1	G	M21 9G8 509	BEARING MOUNT		1	1	1	1	
2	G	M21 L9V 504	SLEEVE BEARING		1	1	1	1	
3	G	M21 7K1 703	DRAIN HOSE		1	1	1	1	
4	G	T2W 9K1 235	NOZZLE ASSEMBLY		1	1	1	1	
5	G	T2W 9K1 041	VANE (F)		1	1	1	1	
6	G	T2W 9K2 041	VANE (U)		1	1	1	1	
7	G	M21 L4V 306	VANE MOTOR	MV1/MV2	2	2	2	2	UP & DOWN
8	G	T2W 9K2 307	ROOM TEMPERATURE THERMISTOR	RT11	1	1	1	1	
9	G	T2W 9K1 450	ELECTRONIC CONTROL P.C. BOARD ※1		1				
	G	T2W EGC 450				1			
	G	T2W 9K2 450					1		
	G	T2W EGD 450						1	
10	G	T2W 9K1 328	RECEIVER P.C. BOARD		1	1	1	1	
11	G	T2W 9K1 305	INDOOR COIL THERMISTOR	RT12,RT13	1	1	1	1	
12	G	M21 9K1 313	VARISTOR	NR11	1	1	1	1	
13	G	T2W L3V 382	FUSE	F11	1	1	1	1	T3.15AL250V
14	G	T2W 9K1 376	TERMINAL BLOCK	TB	1	1	1	1	
15	G	T2W 9K1 784	V.A. CLAMP		1	1	1	1	
16	G	M21 EA8 300	INDOOR FAN MOTOR ※2	MF	1	1	1	1	RC0J40-□□
17	G	T2W 9K1 023	MOTOR BAND		1	1	1	1	
18	G	T2W 9K1 302	LINE FLOW FAN		1	1	1	1	

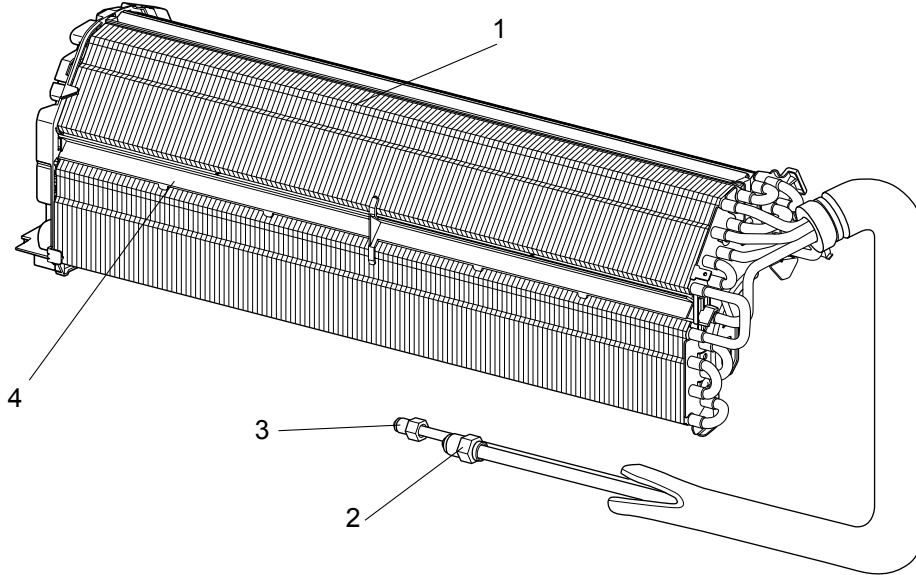
※1 Including SW P.C. BOARD and DISPLAY P.C. BOARD

※2 Including FAN MOTOR RUBBER MOUNT (2 PC/SET)

RoHS PARTS LIST

MSZ-SF15VA MSZ-SF20VA

1-4. INDOOR UNIT HEAT EXCHANGER



No.	RoHS	Part No.	Part name	Symbol in Wiring Diagram	Q'ty/unit				Remarks
					MSZ-SF				
					15VA-E1	15VA-E2	20VA-E1	20VA-E2	
1	G	T2W 9K1 620	INDOOR HEAT EXCHANGER		1	1	1	1	No. 4 is not included.
2	G	M21 L3V 663	UNION (GAS)		1	1	1	1	ø9.52
3	G	M21 N8L 664	UNION (LIQUID)		1	1	1	1	ø6.35
4	G	T2W 9K1 751	DRAIN PLATE ASSY		1	1	1	1	

2

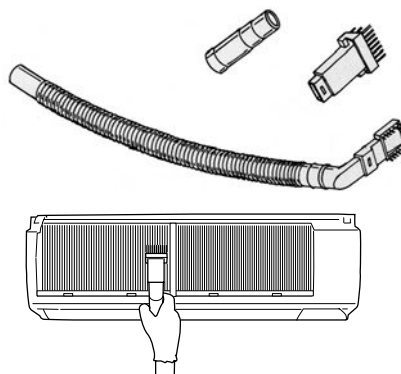
OPTIONAL PARTS

2-1. QUICK CLEAN KIT

- You can sweep the surface of heat exchanger and fan if you install the special-made brush to your vacuum cleaner.

Model	Part No.
MSZ-SF	MAC-093SS-E

NOTE : Refer to the instructions described in the QUICK CLEAN KIT for details.



mitsubishi electric corporation

HEAD OFFICE: TOKYO BLDG., 2-7-3, MARUNOUCHI, CHIYODA-KU, TOKYO 100-8310, JAPAN

© Copyright 2009 MITSUBISHI ELECTRIC CORPORATION
Distributed in Aug. 2012. No. OBB555 REVISED EDITION-A
Distributed in Oct. 2009. No. OBB555 7
Made in Japan

New publication, effective Aug. 2012
Specifications are subject to change without notice.