


Revision D:

• Control P.C. boards for MSZ-GE22/25/35/42/
50VA -  have been changed.

Please void OBB515 REVISED EDITION-C.

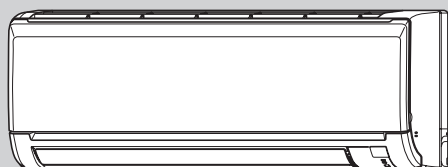
INDOOR UNIT PARTS CATALOG

**No. OBB515
REVISED EDITION-D**

Models

MSZ-GE22VA	-	
MSZ-GE25VA	-	
MSZ-GE35VA	-	
MSZ-GE42VA	-	
MSZ-GE50VA	-	
MSZ-GE60VA	-	
MSZ-GE71VA	-	

MSZ-GE22VA
MSZ-GE25VA
MSZ-GE35VA
MSZ-GE42VA
MSZ-GE50VA



CONTENTS

1. RoHS PARTS LIST..... 2
2. OPTIONAL PARTS.....11

SERVICE MANUAL (OBH515)

NOTE:

RoHS compliant products have <G> mark on the spec name plate.



Revision A:

• MSZ-GE42VA - [E1] and MSZ-GE50VA - [E1] have been added.

Revision B:

• MSZ-GE60VA - [E1] and MSZ-GE71VA - [E1] have been added.

Revision C:

• Power P.C. boards for MSZ-GE22VA - [E1], MSZ-GE25VA - [E1] and MSZ-GE35VA - [E1] have been changed.

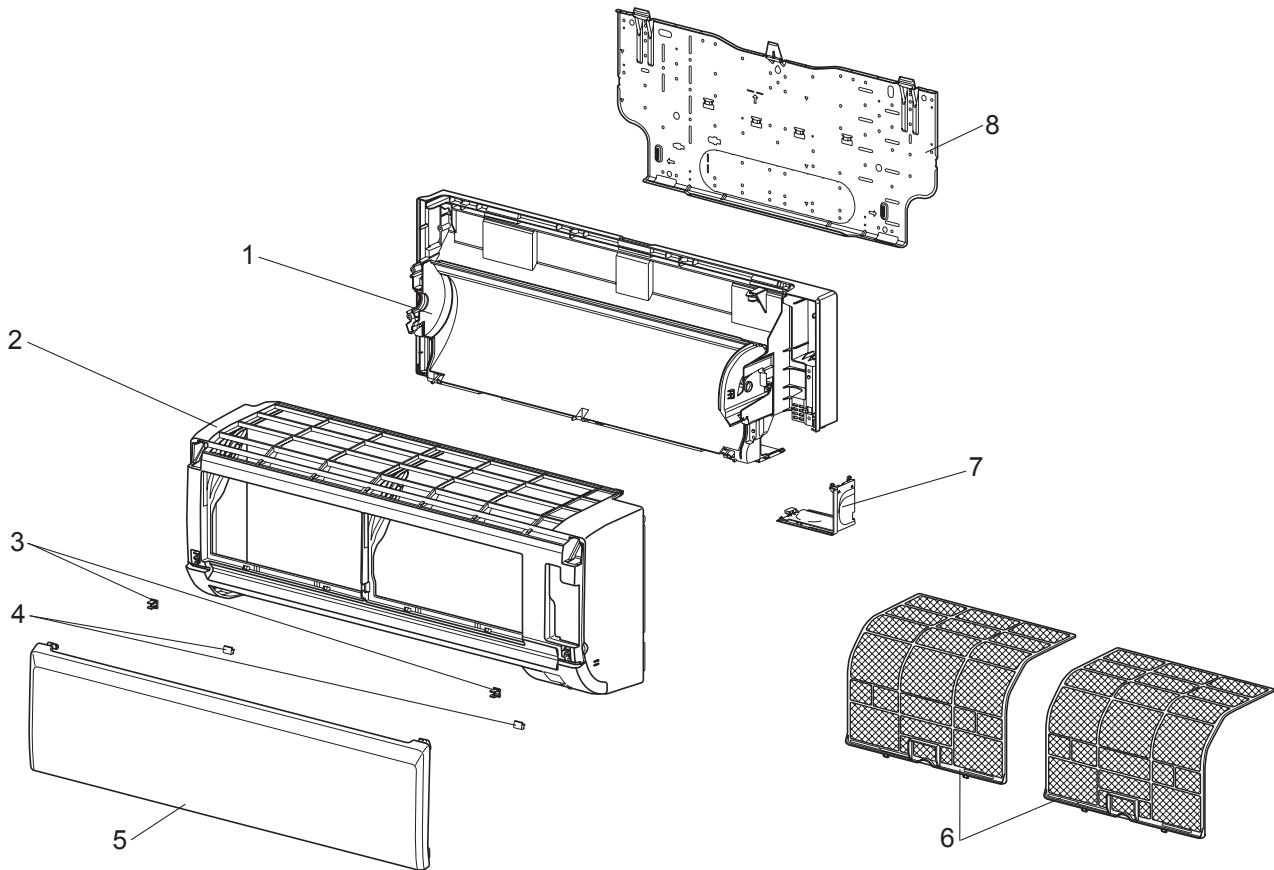
Revision D:

• Control P.C. boards for MSZ-GE22/25/35/42/50VA - [E1] have been changed.

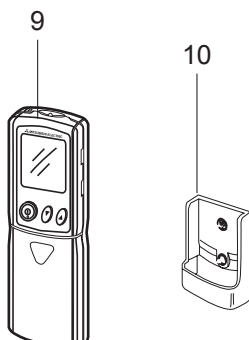
1 RoHS PARTS LIST

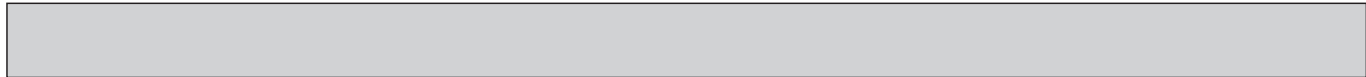
MSZ-GE22VA MSZ-GE25VA MSZ-GE35VA MSZ-GE42VA MSZ-GE50VA

1-1. INDOOR UNIT STRUCTURAL PARTS



1-2. ACCESSORY AND REMOTE CONTROLLER





1-1. INDOOR UNIT STRUCTURAL PARTS

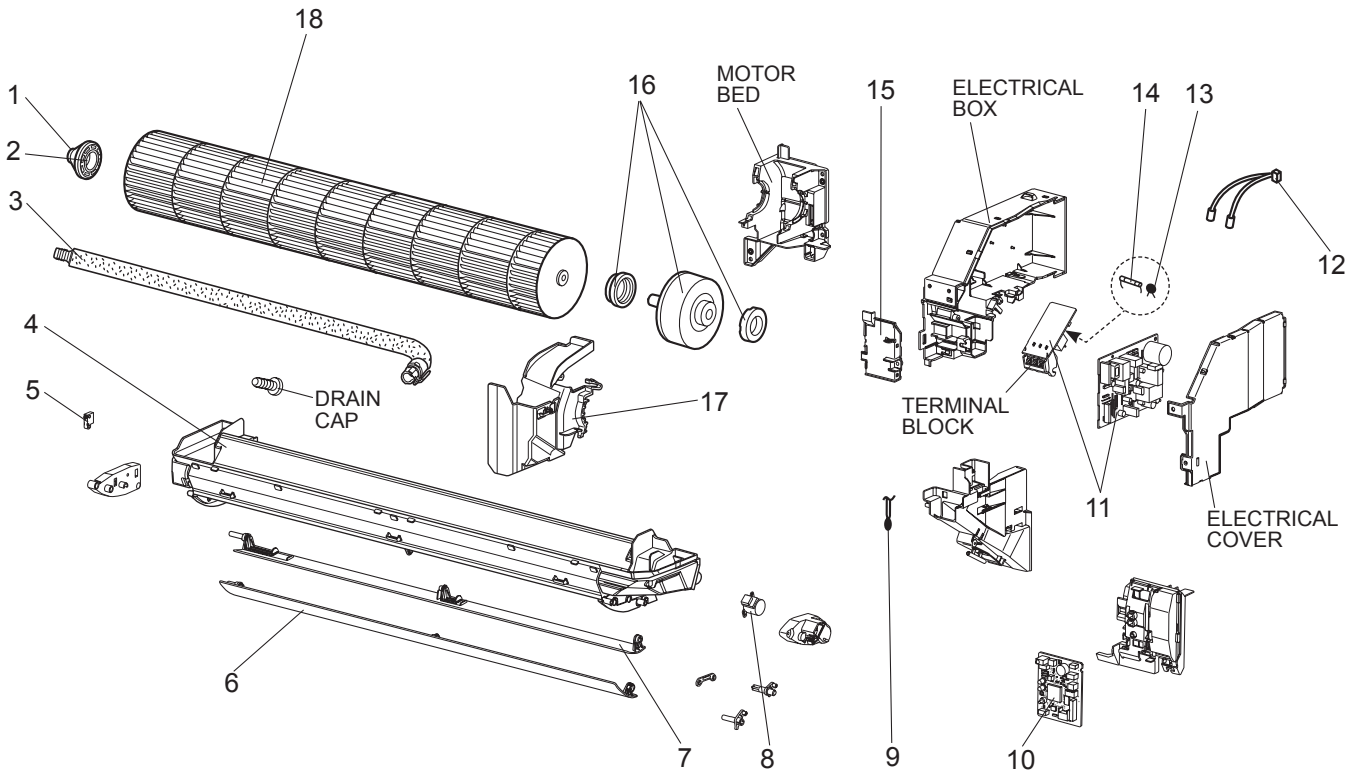
No.	RoHS	Part No.	Part name	Symbol in Wiring Diagram	Q'ty/unit					Remarks
					MSZ-GE					
					22VA- E1	25VA- E1	35VA- E1	42VA- E1	50VA- E1	
1	G	E12 D68 234	BOX ASSEMBLY		1	1	1	1	1	
2	G	E12 D68 000	PANEL ASSEMBLY		1	1	1	1	1	Including No. 3,4,5
3	G	E12 408 142	CATCH		2	2	2	2	2	2 PCS/SET
4	G	E12 913 067	SCREW CAP		2	2	2	2	2	2 PCS/SET
5	G	E12 D68 010	FRONT PANEL		1	1	1	1	1	
6	G	E12 D68 100	CATECHIN AIR FILTER		2	2	2	2	2	1 PC/SET
7	G	E12 D68 975	CORNER BOX (RIGHT)		1	1	1	1	1	
8	G	E12 D68 970	INSTALLATION PLATE		1	1	1	1	1	

1-2. ACCESSORY AND REMOTE CONTROLLER

9	G	E12 D68 426	REMOTE CONTROLLER		1	1	1	1	1	KM09A
10	G	E12 527 083	REMOTE CONTROLLER HOLDER		1	1	1	1	1	

MSZ-GE22VA MSZ-GE25VA MSZ-GE35VA MSZ-GE42VA MSZ-GE50VA

1-3. INDOOR UNIT ELECTRICAL PARTS AND FUNCTIONAL PARTS



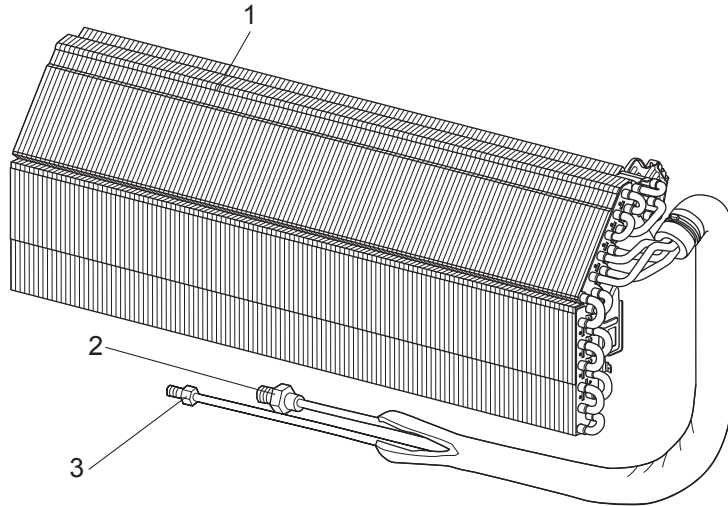
1-3. INDOOR UNIT ELECTRICAL PARTS AND FUNCTIONAL PARTS

No.	RoHS	Part No.	Part name	Symbol in Wiring Diagram	Q'ty/unit					Remarks
					MSZ-GE					
					22VA- E1	25VA- E1	35VA- E1	42VA- E1	50VA- E1	
1	G	E12 751 509	BEARING MOUNT		1	1	1	1	1	
2	G	E12 001 504	SLEEVE BEARING		1	1	1	1	1	
3	G	E12 897 702	DRAIN HOSE		1	1	1	1	1	
4	G	E12 D68 235	NOZZLE ASSEMBLY		1	1	1	1	1	
5	G	E12 C32 316	INTERLOCK SWITCH (FAN)		1	1	1	1	1	
6	G	E12 D68 040	VANE (UPPER)		1	1	1	1	1	
7	G	E12 D68 041	VANE (LOWER)		1	1	1	1	1	
8	G	E12 A89 303	VANE MOTOR	MV	1	1	1	1	1	UP & DOWN
9	G	E12 D68 308	ROOM TEMPERATURE THERMISTOR	RT11	1	1	1	1	1	
10	G	E12 D94 452	ELECTRONIC CONTROL P.C. BOARD		1					
	G	E12 D95 452				1				
	G	E12 D96 452					1			
	G	E12 D97 452						1		
	G	E12 D98 452							1	
11	G	E12 D94 440	POWER P.C. BOARD ※1		1	1	1			
	G	E12 E19 440						1	1	
12	G	E12 D68 307	INDOOR COIL THERMISTOR	RT12,RT13	1	1	1	1	1	
13	G	E12 B75 385	VARISTOR	NR11	1	1	1	1	1	
14	G	E12 A49 382	FUSE	F11	1	1	1	1	1	T3.15AL250V
15	G	E12 D68 784	V.A. CLAMP		1	1	1	1	1	
16	G	E12 E24 300	INDOOR FAN MOTOR ※2	MF	1	1	1	1	1	RC0J40-□□
17	G	E12 D68 333	MOTOR BAND		1	1	1	1	1	
18	G	E12 A89 302	LINE FLOW FAN		1	1	1	1	1	

※1 Including TERMINAL BLOCK with TERMINAL P.C. BOARD

※2 Including FAN MOTOR RUBBER MOUNT (2 PCS/SET)

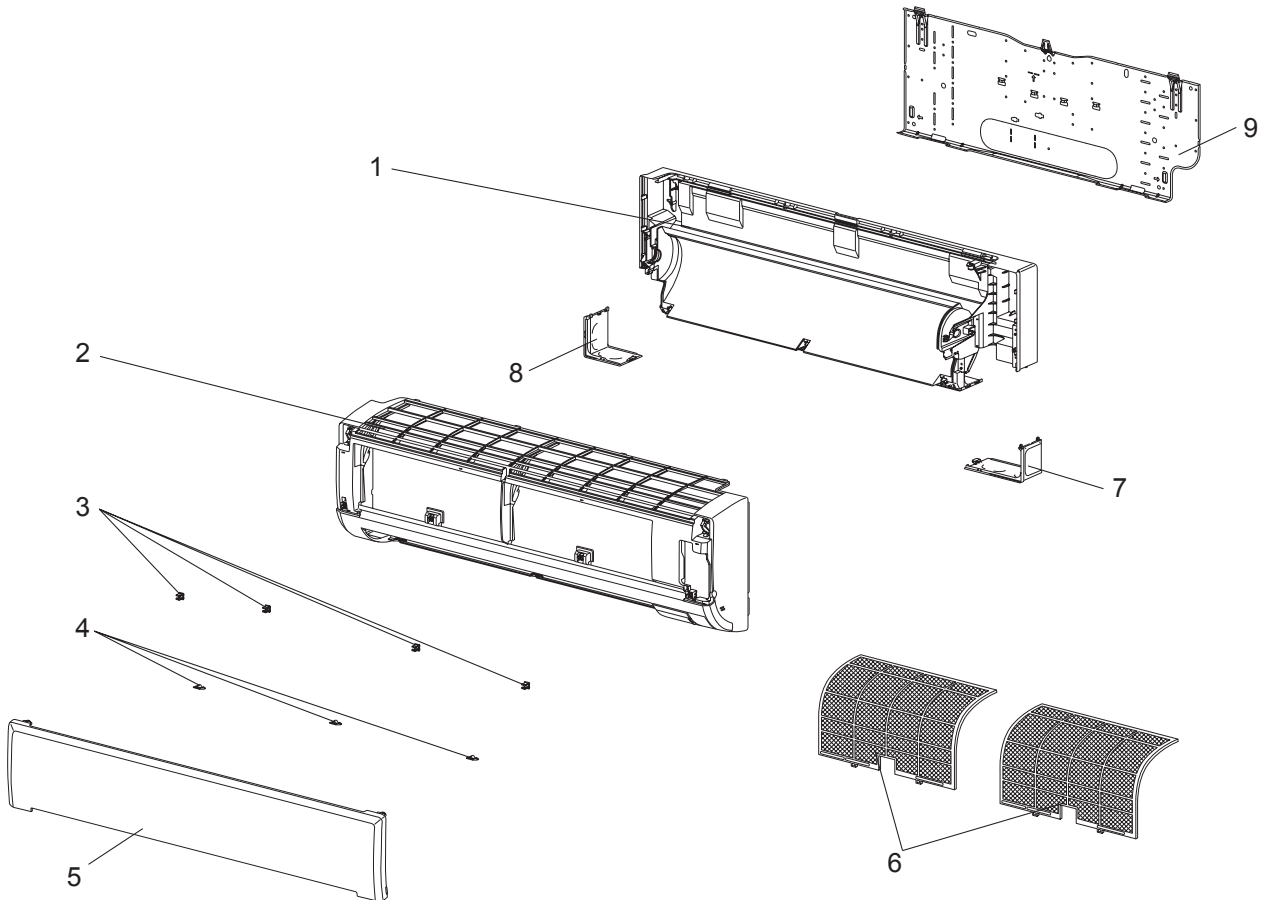
MSZ-GE22VA MSZ-GE25VA MSZ-GE35VA MSZ-GE42VA MSZ-GE50VA
1-4. INDOOR UNIT HEAT EXCHANGER



No.	RoHS	Part No.	Part name	Symbol in Wiring Diagram	Q'ty/unit					Remarks
					MSZ-GE					
					22VA- E1	25VA- E1	35VA- E1	42VA- E1	50VA- E1	
1	G	E12 D68 620	INDOOR HEAT EXCHANGER		1	1	1	1		
	G	E12 D71 620						1		
2	G	E12 815 666	UNION (GAS)		1	1	1	1		ø9.52
	G	E12 155 666						1		ø12.7
3	G	E12 151 667	UNION (LIQUID)		1	1	1	1	1	ø6.35

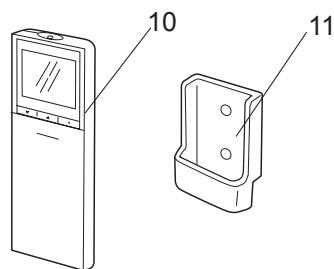
MSZ-GE60VA MSZ-GE71VA

1-5. INDOOR UNIT STRUCTURAL PARTS



No.	RoHS	Part No.	Part name	Symbol in Wiring Diagram	Q'ty/unit		Remarks
					MSZ-GE		
					60VA-E1	71VA-E1	
1	G	E12 F28 234	BOX ASSEMBLY		1	1	
2	G	E12 F28 000	PANEL ASSEMBLY		1	1	Including No. 3,4,5
3	G	E12 408 142	CATCH		4	4	4 PCS/SET
4	G	E12 F28 067	SCREW CAP		3	3	3 PCS/SET
5	G	E12 F28 010	FRONT PANEL		1	1	
6	G	E12 F28 100	NANO PLATINUM FILTER		2	2	1 PC/SET
7	G	E12 F28 975	CORNER BOX (RIGHT)		1	1	
8	G	E12 F28 976	CORNER BOX (LEFT)		1	1	
9	G	E12 F28 970	INSTALLATION PLATE		1	1	

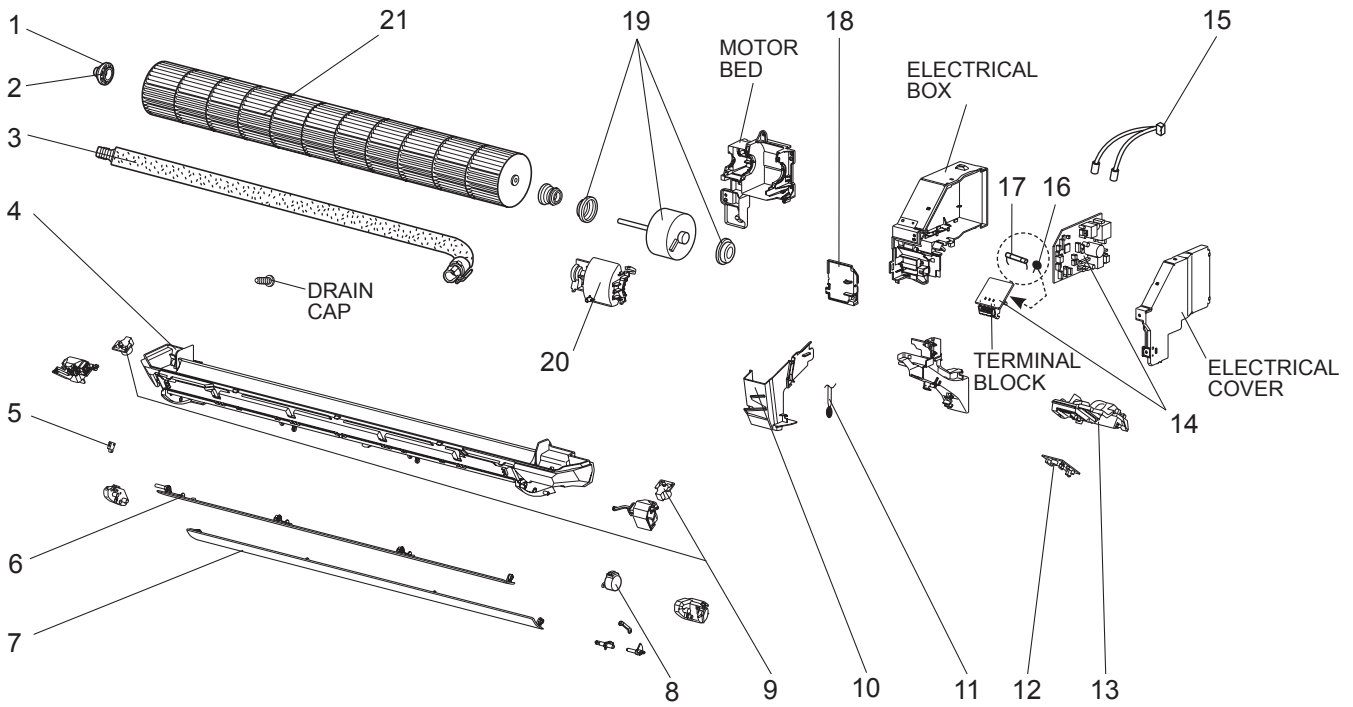
1-6. ACCESSORY AND REMOTE CONTROLLER



10	G	E12 F28 426	REMOTE CONTROLLER		1	1	SG10A
11	G	E12 F28 083	REMOTE CONTROLLER HOLDER		1	1	

MSZ-GE60VA MSZ-GE71VA

1-7. INDOOR UNIT ELECTRICAL PARTS AND FUNCTIONAL PARTS



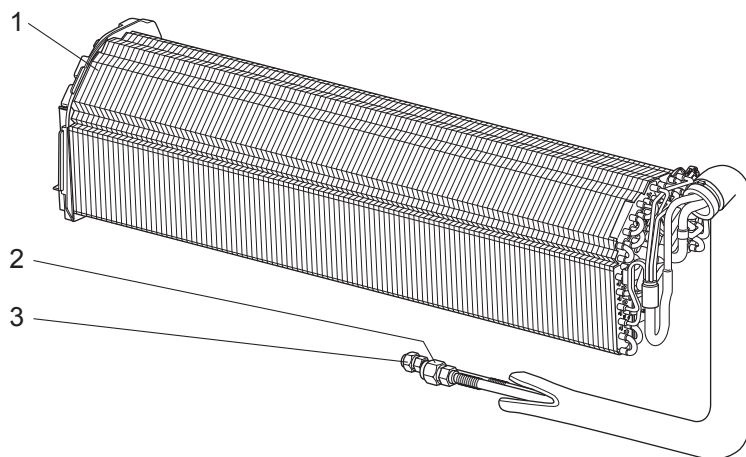
1-7. INDOOR UNIT ELECTRICAL PARTS AND FUNCTIONAL PARTS

No.	RoHS	Part No.	Part name	Symbol in Wiring Diagram	Q'ty/unit		Remarks
					MSZ-GE		
					60VA- ^{E1}	71VA- ^{E1}	
1	G	E12 751 509	BEARING MOUNT		1	1	
2	G	E12 001 504	SLEEVE BEARING		1	1	
3	G	E12 408 702	DRAIN HOSE		1	1	
4	G	E12 F31 235	NOZZLE ASSEMBLY		1	1	
5	G	E12 F28 316	INTERLOCK SWITCH (FAN)		1	1	
6	G	E12 F28 040	VANE (UPPER)		1	1	
7	G	E12 F28 041	VANE (LOWER)		1	1	
8	G	E12 C33 303	VANE MOTOR (HORIZONTAL)	MV1	1	1	UP & DOWN
9	G	E12 C32 303	VANE MOTOR (VERTICAL)	MV2	2	2	RIGHT & LEFT
10	G	E12 F28 541	WATER CUT		1	1	
11	G	E12 C32 308	ROOM TEMPERATURE THERMISTOR	RT11	1	1	
12	G	E12 F28 468	POWER MONITOR RECEIVER SW P.C. BOARD		1	1	
13	G	E12 F28 095	POWER MONITOR RECEIVER HOLDER		1	1	
14	G	E12 F31 452	ELECTRONIC CONTROL P.C. BOARD ※1		1		
	G	E12 F32 452				1	
15	G	E12 F28 307	INDOOR COIL THERMISTOR	RT12,RT13	1	1	
16	G	E12 B75 385	VARISTOR	NR11	1	1	
17	G	E12 A49 382	FUSE	F11	1	1	T3.15AL250V
18	G	E12 F28 784	V.A. CLAMP		1	1	
19	G	E12 F28 300	INDOOR FAN MOTOR ※2	MF	1	1	RC0J56-□□
20	G	E12 F28 333	MOTOR BAND		1	1	
21	G	E12 F28 302	LINE FLOW FAN		1	1	

※1 Including TERMINAL BLOCK with TERMINAL P.C. BOARD

※2 Including FAN MOTOR RUBBER MOUNT (2 PCS/SET)

MSZ-GE60VA MSZ-GE71VA
1-8. INDOOR UNIT HEAT EXCHANGER



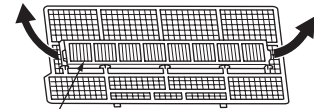
No.	RoHS	Part No.	Part name	Symbol in Wiring Diagram	Q'ty/unit		Remarks
					MSZ-GE		
					60VA-E1	71VA-E1	
1	G	E12 F28 620	INDOOR HEAT EXCHANGER		1		
	G	E12 F29 620				1	
2	G	E12 527 666	UNION (GAS)		1	1	ø15.88
3	G	E12 151 667	UNION (LIQUID)		1		ø6.35
	G	E12 815 666	UNION (LIQUID)			1	ø9.52

2-1. AIR CLEANING FILTER (ANTI-ALLERGY ENZYME FILTER)

- AIR CLEANING FILTER removes fine dust of 0.01 micron from air by means of static electricity.
- Normal life of AIR CLEANING FILTER is 1 year. If AIR CLEANING FILTER is to be washed, soak AIR CLEANING FILTER in water (when showing dirt, in lukewarm water) and rinse it delicately, without removing the filter from the frame about once every 3 months.
- Clogged AIR CLEANING FILTER may reduce the air conditioner capacity or cause frost on the air outlet.
- Do not remove or attach AIR CLEANING FILTER during unit operation.

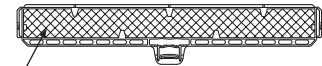
Model	Part No.
MSZ-GE22VA MSZ-GE25VA MSZ-GE35VA MSZ-GE42VA MSZ-GE50VA	MAC-408FT-E

Pull to remove from the air filter



Air cleaning filter
(Blue bellows type)

Model	Part No.
MSZ-GE60VA MSZ-GE71VA	MAC-2310FT-E



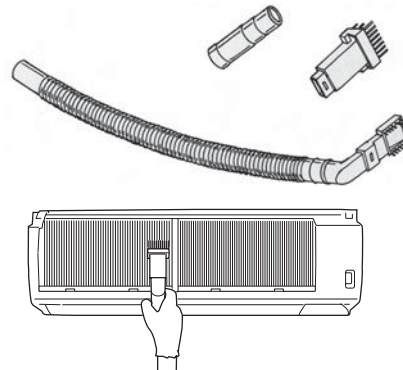
Air cleaning filter
(Electrostatic anti-allergy enzyme filter)

2-2. QUICK CLEAN KIT

- You can sweep the surface of heat exchanger and fan if you install the special-made brush to your vacuum cleaner.

Model	Part No.
MSZ-GE22VA MSZ-GE25VA MSZ-GE35VA MSZ-GE42VA MSZ-GE50VA MSZ-GE60VA MSZ-GE71VA	MAC-093SS-E

NOTE : Refer to the instructions described in the QUICK CLEAN KIT for details.





© Copyright 2008 MITSUBISHI ELECTRIC CO.,LTD
Distributed in Feb. 2011. No. OBB515 REVISED EDITION-D
Distributed in Mar. 2010. No. OBB515 REVISED EDITION-C 5
Distributed in Oct. 2009. No. OBB515 REVISED EDITION-B 5
Distributed in Dec. 2008. No. OBB515 REVISED EDITION-A 5
Distributed in Aug. 2008. No. OBB515 6
Made in Japan

New publication, effective Feb. 2011
Specifications subject to change without notice.